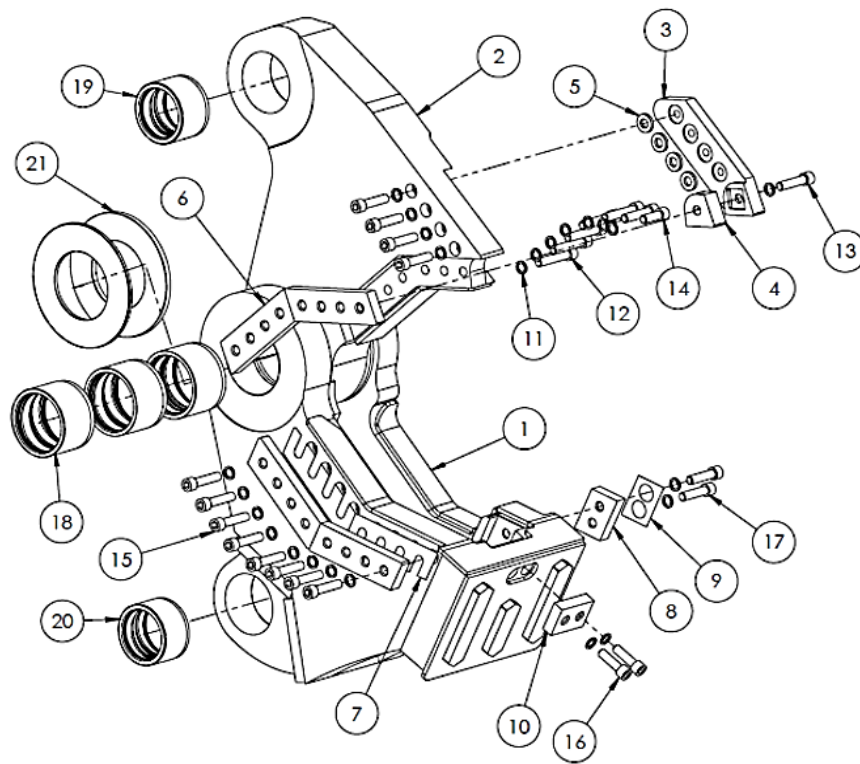
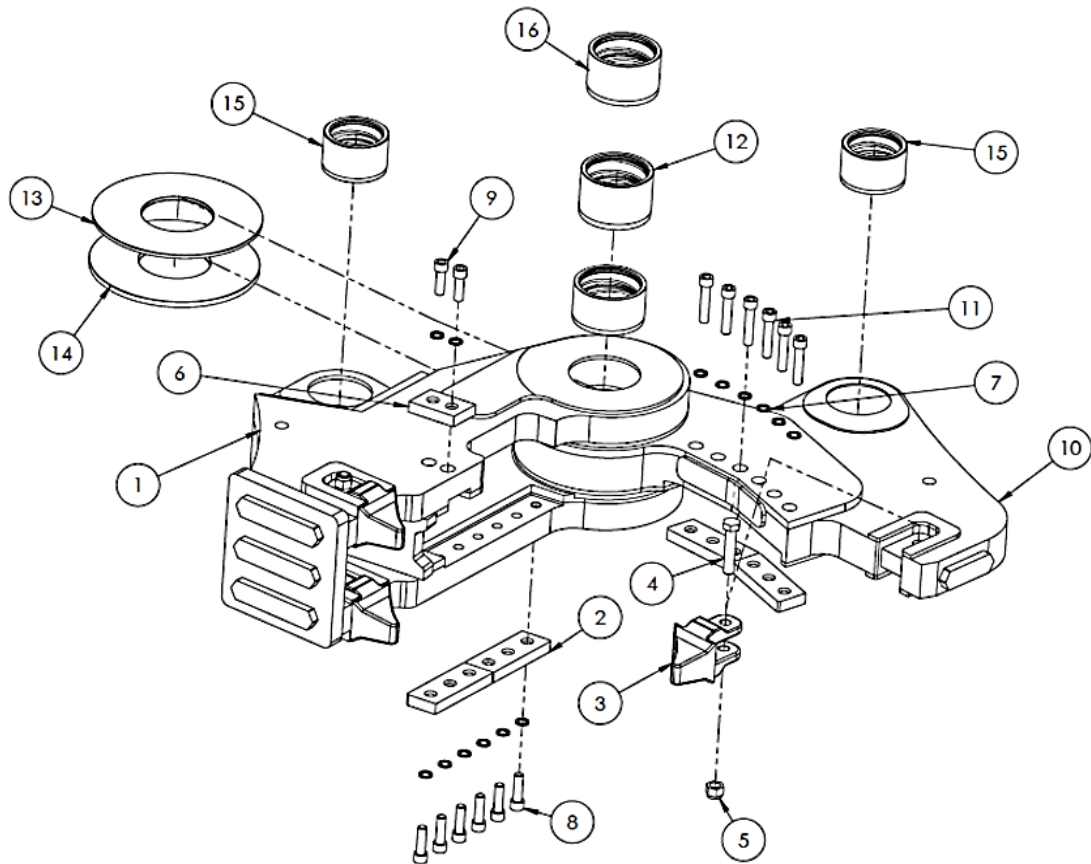


# MC40 SHEAR KIT EXPLODED VIEW



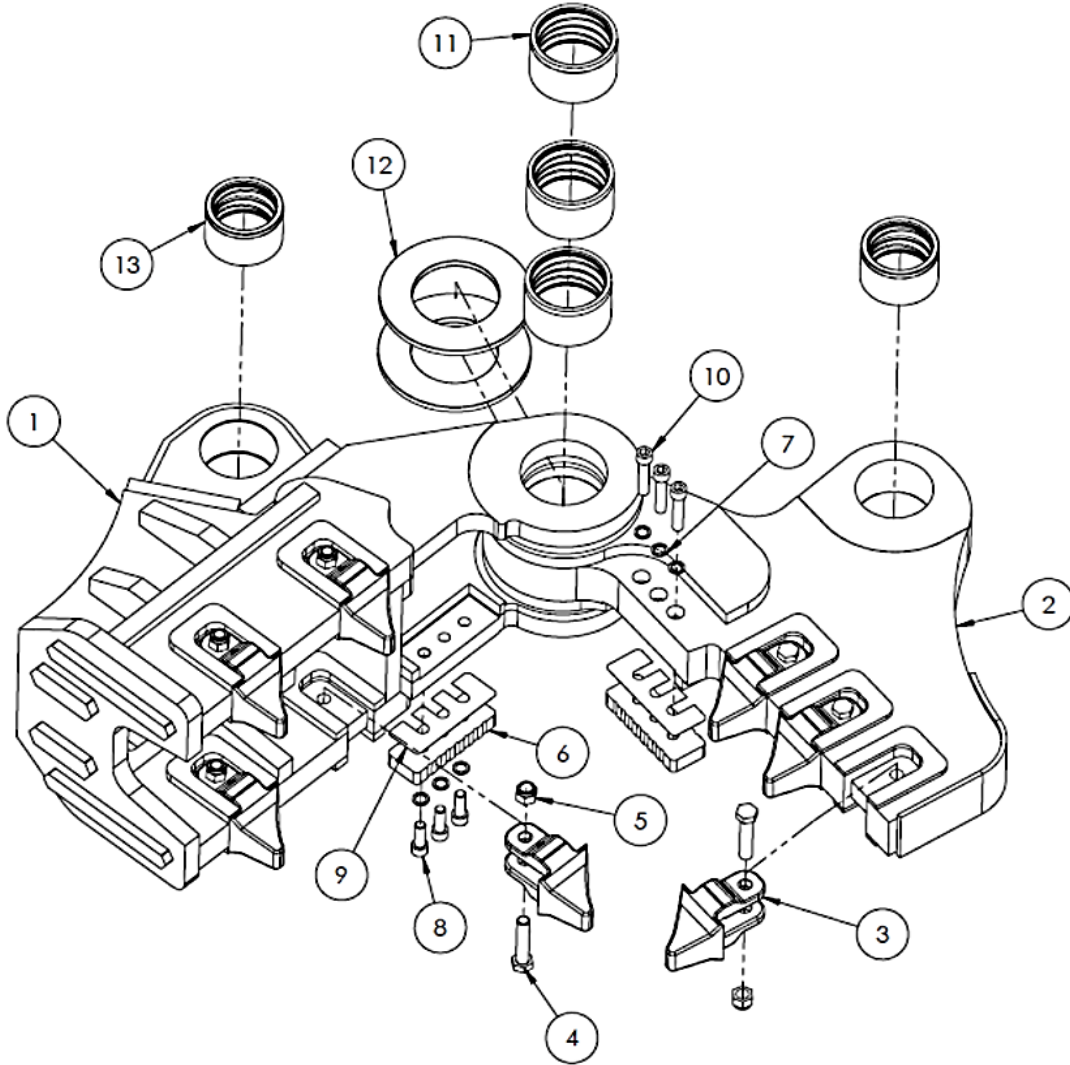
POS.	Q,TY	PART No.	DESCRIPTION
-	1	200003300	SHEAR KIT
1	1	23005300	JAW
2	1	23005200	NIPPER
3	1	22000200	PEAK
4	1	22000201	PEAK CORE
5	4	05004000	WASHER
6	4	21000500	BLADE
7	2	21000500_D_0.5	SHIM
8	1	21000600	GUIDE BLADE
9	1	21000600_D_0.5	GUIDE BLADE SHIM
10	1	21000700	FRONT BLADE
11	24	05001400	NORD-LOCK M20
12	5	04001000	TCEI M20X100
13	6	04009400	TCEI M20X85
14	1	04004900	TCEI M20X55
15	8	04007100	TCEI M20X90
16	2	04003900	TCEI M20X70
17	2	04004000	TCEI M20X80
18	3	17004000	BUSH
19	1	17000201	BUSH
20	1	17001501	BUSH
21	2	35004401	SPACER

# MC40 COMBY KIT EXPLODED VIEW



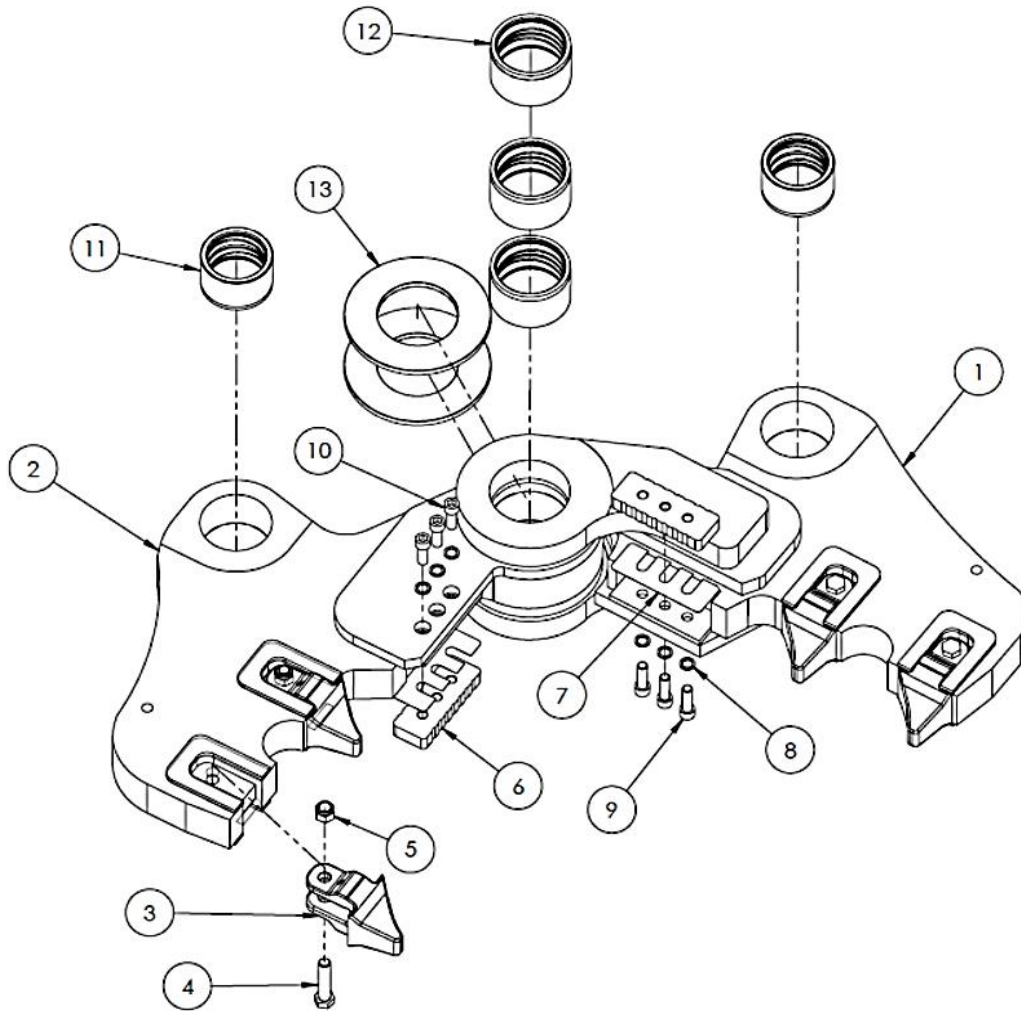
POS.	Q,TY	PART No.	DESCRIPTION
-	1	200003500	COMBY KIT
1	1	41004000	JAW
2	4	21001100	MC18 OLD CESOIA KIT
3	3	40000500	TOOTH A TYPE 2
4	3	04001100	TE M24X120
5	3	07000300	LOCKNUT M24
6	1	21001200	GUIDE BLADE
7	14	05001400	NORD-LOCK M20
8	6	04003900	TCEI M20X70
9	2	04008600	TCEI M20X65
10	1	23000901	NIPPER
11	6	04001000	TCEI M20X100
12	1	17013600	BUSH
13	1	35004402	SPACER
14	1	35004401	SPACER
15	2	17000201	BUSH
16	1	17004000	BUSH
17	1	17007799	BUSH

# MC40 PULVERIZER KIT EXPLODED VIEW



POS.	Q,TY	PART No.	DESCRIPTION
-	1	200004000	PULVERIZER KIT
1	1	41004200	JAW
2	1	23005100	NIPPER
3	7	40000500	TOOTH OSA TYPE 2
4	7	04001100	TE M24X120
5	7	07000300	LOCKNUT M24
6	2	21001500	BLADE
7	6	05001400	NORD-LOCK M20
8	3	04000800	TCEI M20X60
9	2	21001500_D_0.6	BLADE SPACER
10	3	04001000	TCEI M20X100
11	2	35004200	SPACER
12	3	17004000	BUSH
13	2	17000201	BUSH

# MC40 CRUSHER KIT EXPLODED VIEW



POS.	Q,TY	PART No.	DESCRIPTION
-	1	200002900	CRUSHER KIT
1	1	41004100	JAW
2	1	23004700	NIPPER
3	4	40000500	TOOTH OSA TYPE 2
4	4	04001100	TE M24X120
5	4	07000300	LOCKNUT M24
6	2	21001500	BLADE
7	2	21001500_D_0.6	BLADE SPACER
8	6	05001400	NORD-LOCK M20
9	3	04003900	TCEI M20X70
10	3	04000800	TCEI M20X60
11	2	17000201	BUSH
12	3	17004000	BUSH
13	2	35004401	SPACER